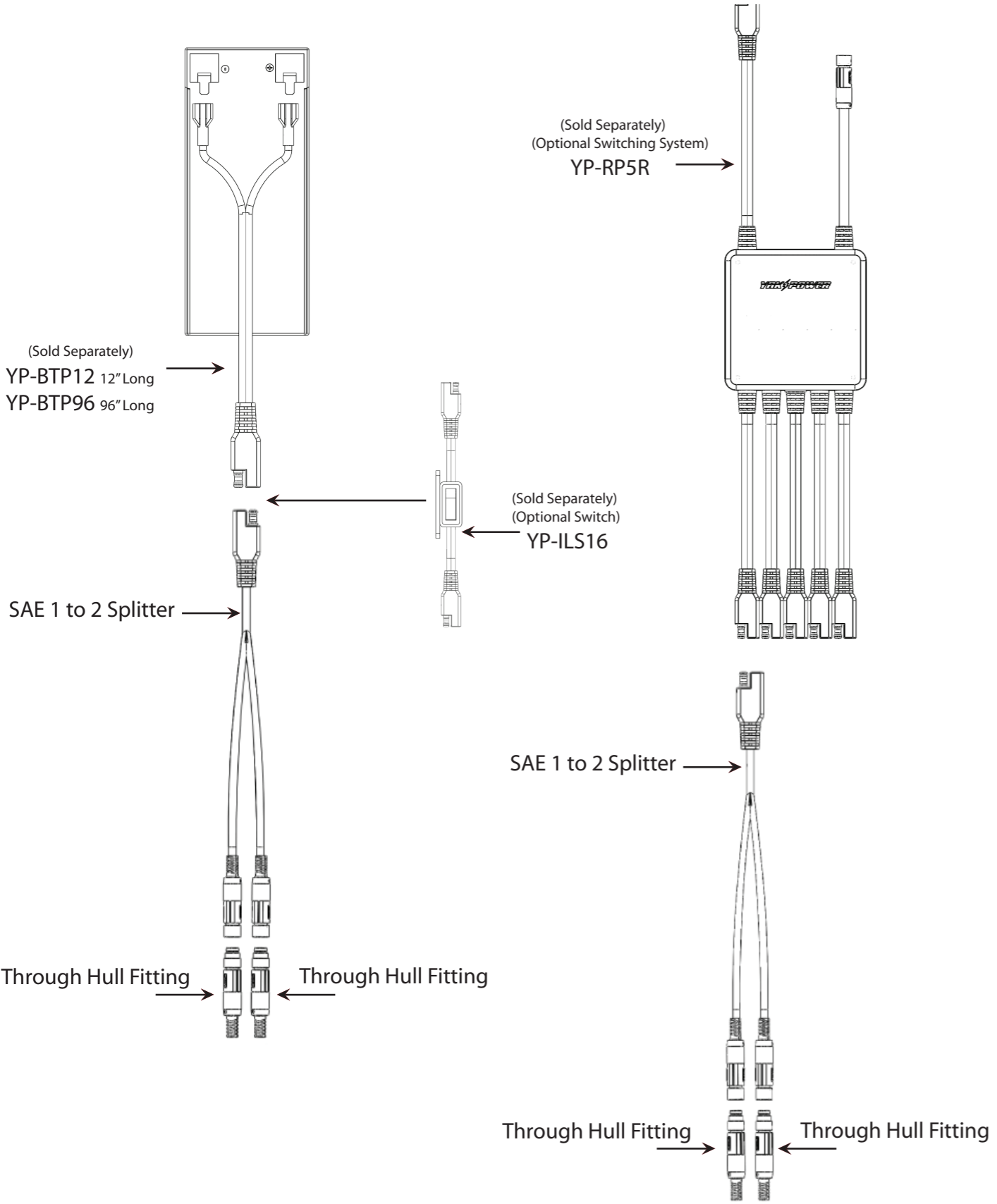


YPLEDK-B4, YPLEDK-G4
 YPLEDK-B210, YPLEDK-B220
 YPLEDK-G210, YPLEDK-G220
 Installation Instructions

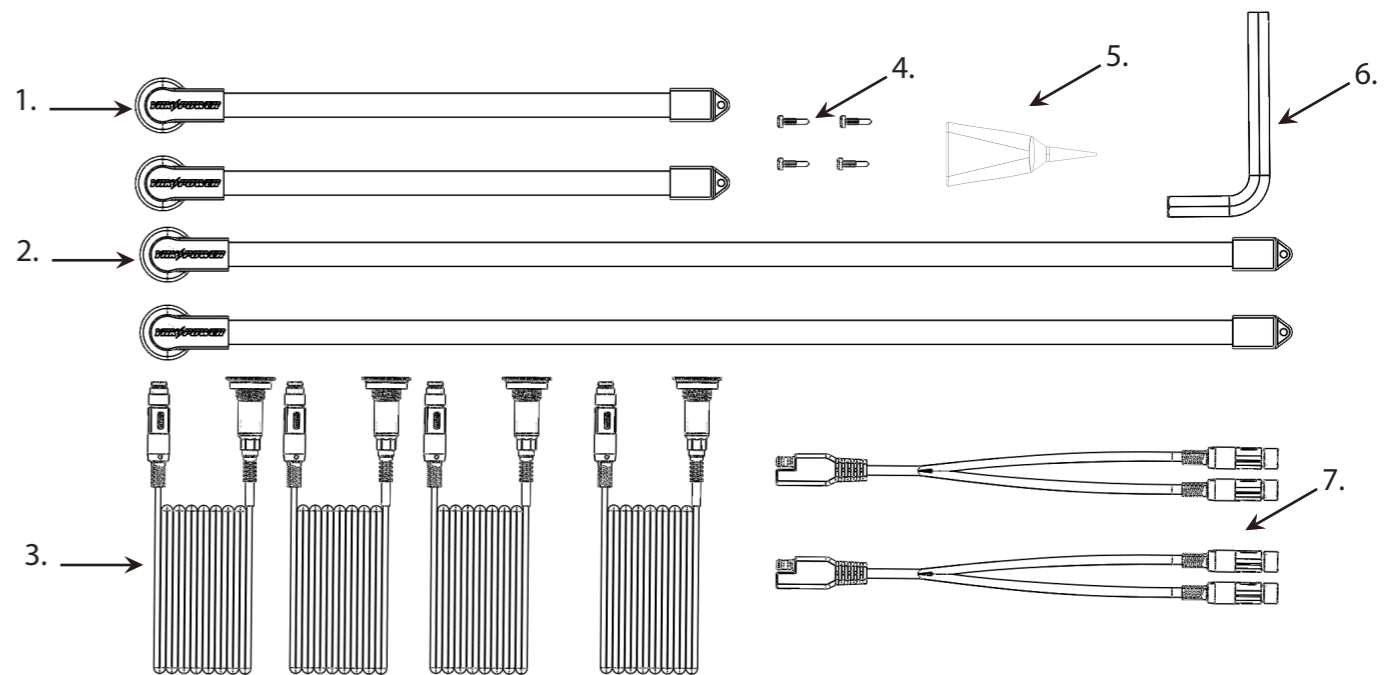


YPLEDK-B4, YPLEDK-G4
 YPLEDK-B210, YPLEDK-B220
 YPLEDK-G210, YPLEDK-G220
 Installation Instructions



General Warnings & Notations:

1. All Yak-Power plug and play accessories are specifically designed to work together while maintaining the correct battery polarity throughout the entire Yak-Power system. Use of other aftermarket connectors or splicing other connectors into the Yak-Power system may cause damage to the system or to the accessories connected to the system and void your warranty.
2. **CAUTION:** Always pay attention to the actual wire colors of all Yak-Power accessory cables to insure that the RED (+) wire is always connecting to the RED (+) wire on the connector into which it is being plugged.



YPLEDK-B4

- Item#
1. 2 ea..YP-B10
 2. 2 ea.YP-B20
 3. 4 ea.Through Hull Fittings
 4. 4 ea. Mounting Screws
 5. 1 ea. dielectric grease
 6. 1 ea.8mm Allen Wrench
 7. 2 ea. 1 to 2 SAE Splitter

YPLEDK-G4

- Item#
1. 2 ea.YP-G10
 2. 2 ea.YP-G20
 3. 4 ea.Through Hull Fittings
 4. 4 ea. Mounting Screws
 5. 1 ea. dielectric grease
 6. 1 ea.8mm Allen Wrench
 7. 2 ea. 1 to 2 SAE Splitter

YPLEDK-B210

- Item#
1. 2 ea.YP-B10
 3. 2 ea.Through Hull Fittings
 4. 2 ea. Mounting Screws
 5. 1 ea. dielectric grease
 6. 1 ea.8mm Allen Wrench
 7. 1 ea. 1 to 2 SAE Splitter

YPLEDK-B220

- Item#
2. 2 ea.YP-B20
 3. 2 ea.Through Hull Fittings
 4. 2 ea. Mounting Screws
 5. 1 ea. dielectric grease
 6. 1 ea.8mm Allen Wrench
 7. 1 ea. 1 to 2 SAE Splitter

YPLEDK-G210

- Item#
1. 2 ea.YP-G10
 3. 2 ea.Through Hull Fittings
 4. 2 ea. Mounting Screws
 5. 1 ea. dielectric grease
 6. 1 ea.8mm Allen Wrench
 7. 1 ea. 1 to 2 SAE Splitter

YPLEDK-G220

- Item#
2. 2 ea.YP-G20
 3. 2 ea.Through Hull Fittings
 4. 2 ea. Mounting Screws
 5. 1 ea. dielectric grease
 6. 1 ea.8mm Allen Wrench
 7. 1 ea. 1 to 2 SAE Splitter

YPLEDK-B4, YPLEDK-G4
 YPLEDK-B210, YPLEDK-B220
 YPLEDK-G210, YPLEDK-G220
 Installation Instructions



YPLEDK-B4, YPLEDK-G4
 YPLEDK-B210, YPLEDK-B220
 YPLEDK-G210, YPLEDK-G220
 Installation Instructions

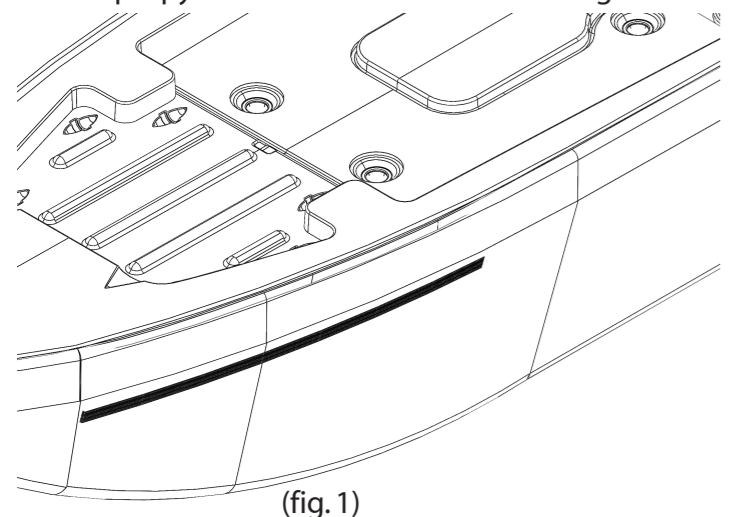


Deciding where to mount the LED light is one of the most important parts of this installation

1. You want the LED lights to be 1 inch above the waterline.
2. You do not want to be able to see the lights from your seated position. If LEDs are mounted where you can see them, it will cause you problems with your night vision while fishing.
3. Make sure there is at least 1.75" of clearance behind the hull. If not the through hull fitting will not seat properly.

Helpful Tips

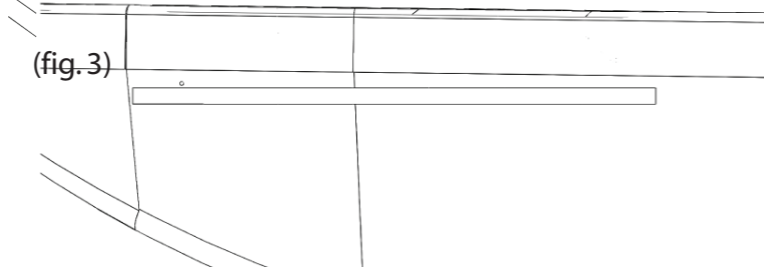
1. Use masking tape or a straight edge to mark the location of the LED light.
2. Use Isopropyl Alcohol to clean the mounting surface



(fig. 1)

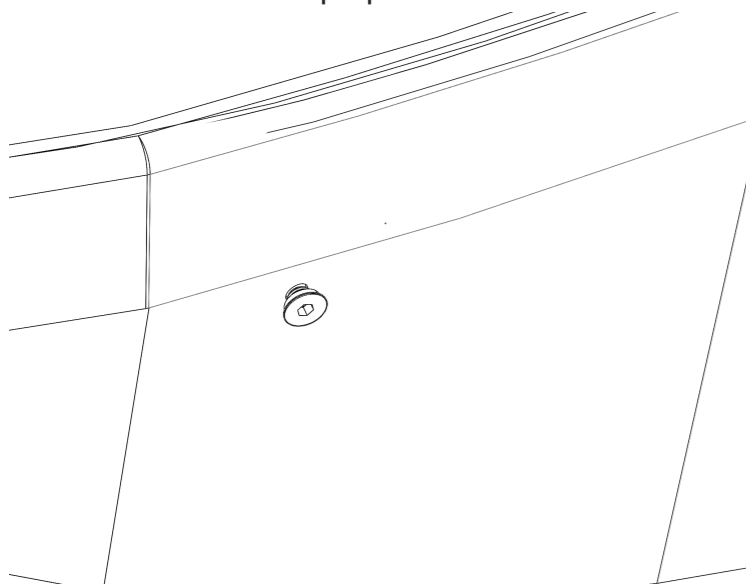


(fig. 2)



(fig. 3)

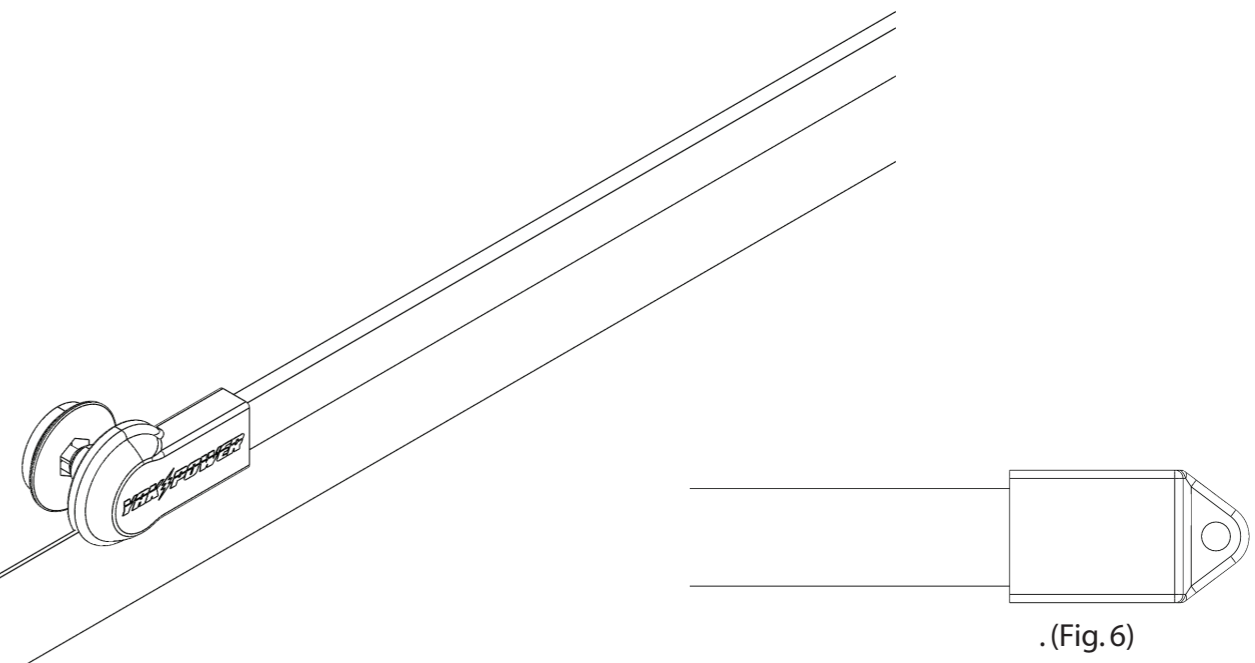
1. Place tape or a straight edge 1 inch above the water line on the hull. (Fig. 1)
2. Place the LED strip along the top edge of the tape (Fig. 2) when you have your desired location. You need to put a mark 6 mm / 0.236" above the tape. This will be your drill location. (Fig. 3)
3. Use a 1/2" drill bit. When drilling the mounting hole make sure the drill bit is perpendicular to the hull. This will insure the hole is the proper size.



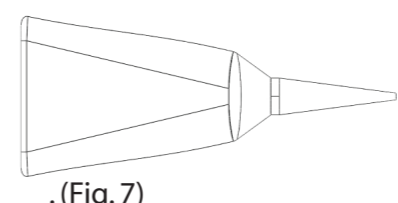
Warning:

Use only the supplied allen wrench to install hull fittings. Using a different wrench or electric screw gun can cause damage to your kayak or the hull fittings.

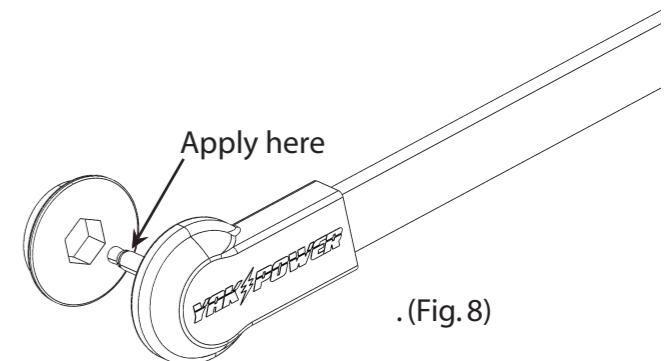
Place Through Hull Fitting in hole making sure fitting is perpendicular to the hull. Use the 8 mm allen wrench to tighten fitting. Tighten fitting until snug. Over tightening fitting will cause fitting to leak or threads to strip out. You may use silicone on the threads if concerned with the chance of leakage.



(Fig. 6)



(Fig. 7)



(Fig. 8)

For maximum protection apply dielectric grease (Fig. 7) to the 3.5mm connector pin on the LED light strip plug (Fig. 8) BEFORE inserting it into the Through Hull connector.

Plug the LED strip into the Through Hull Fitting making sure the cover snaps into place. Peel off the cover of the double sided tape. Start at the front of the LED lining up the LED strip with the top of the masking tape or straight edge pressing LED strip to the hull until LED is firmly in place Mark and predrill hole for mounting screw. (Fig. 6). Screw mounting screw in place.